

LIGHT WALL CONTROL INSTALLATION INSTRUCTIONS

WARNING

To avoid fire, shock and serious personal injury, follow these instructions:

1. Carefully read and retain this Instruction Manual for future reference.
2. To avoid possible electrical shock, be sure the electricity is turned off at the main panel by removing the fuse or opening the circuit breaker.
3. This control switch is designed for use with "Ceiling Fans" ONLY. DO NOT use with any other type of electrical appliance.
4. All wiring must conform to national and local electrical codes. If you feel you do not have enough electrical knowledge, have a licensed electrician install the control.
5. The total wattage for the lights 300W.

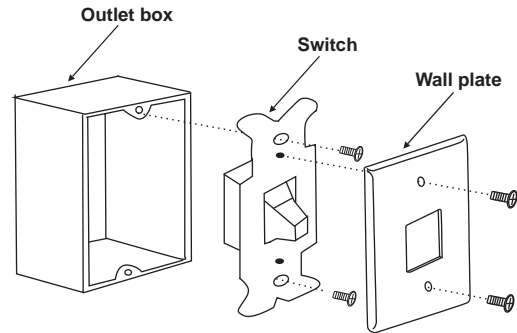


Fig. 1

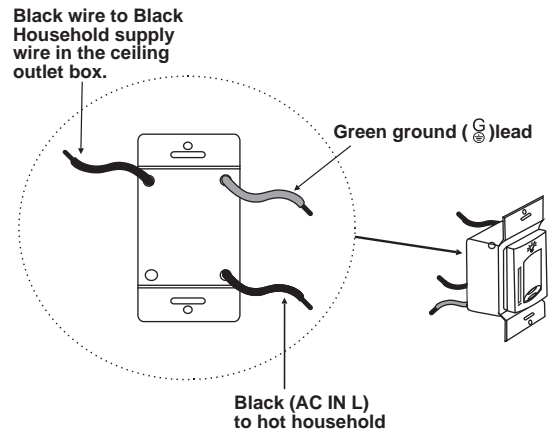


Fig. 2

INSTALLATION AND OPERATING INSTRUCTIONS

1. Disconnect the power and remove the existing wall plate and switch. (Fig. 1)
2. Push the slide switch all the way down to the OFF position. (Fig.2)
3. Make each of the wire connections illustrated in Figure 3. Secure each with the wire nuts provided.
 - Connect the Black wire from the switch to the Black Household Supply Wire (AC in L)
 - Connect the Green (ground) wire from the Switch to the Household ground wire.
 - Connect the Black wire from the Switch to the Black wire leading to the Blue wire on the Fan. This is the wire that controls the ceiling fan light fixture. DO NOT connect this switch to the ceiling fan motor.
4. If your outlet box has a ground wire (green or bare copper) connect the wall transmitter's ground wire to it; otherwise connect the wall transmitter's ground wire directly to one of the screws from the outlet box.

SUPPLY CIRCUIT

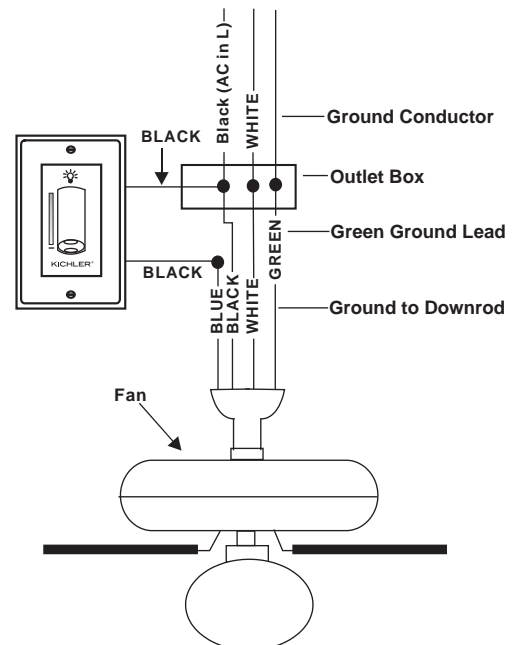


Fig. 3

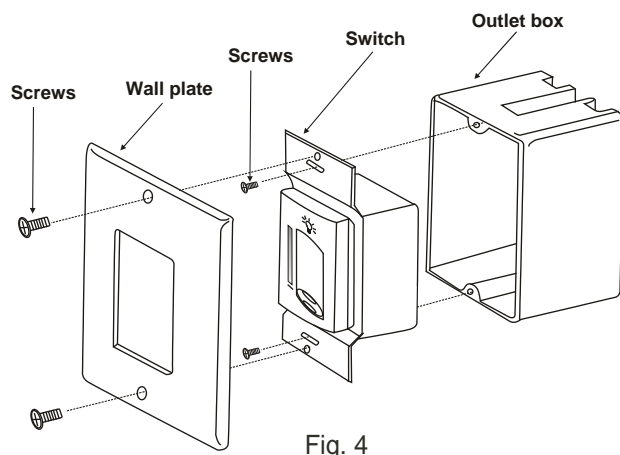


Fig. 4

5. Attach the Light Dimmer Switch to the wall outlet box and secure with the two screws provided. (Fig 4)

6. Attach the wall plate to the switch with the two screws provided. (Fig. 4)

NOTE: The On/Off switch (pull chain) on the ceiling fan light fixture must be set to ON.

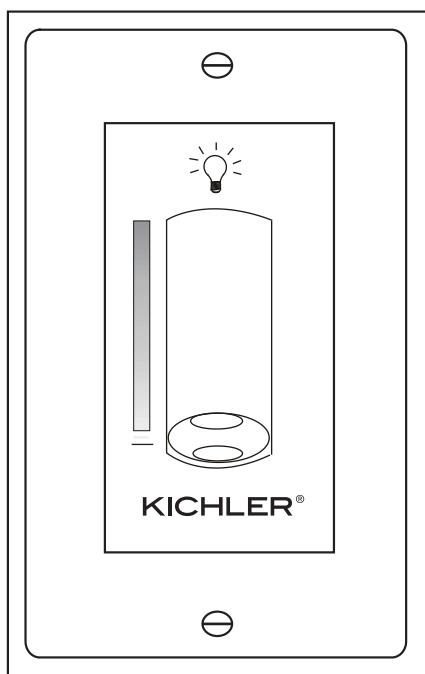



Fig. 5

OPERATING YOUR WALL CONTROL

 **Light Slide Switch:** This Slider turns the light fixture On or OFF and adjust the Brightness of the fixture. OFF is all the way down.

TROUBLESHOOTING GUIDE

If the switch does not work correctly, check the following.

- Check the main power supply and make sure the circuit is powered ON.
- Make sure the Light Fixture pull chain is set in the ON position.